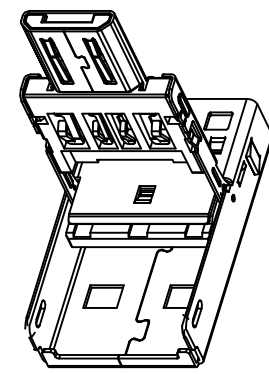
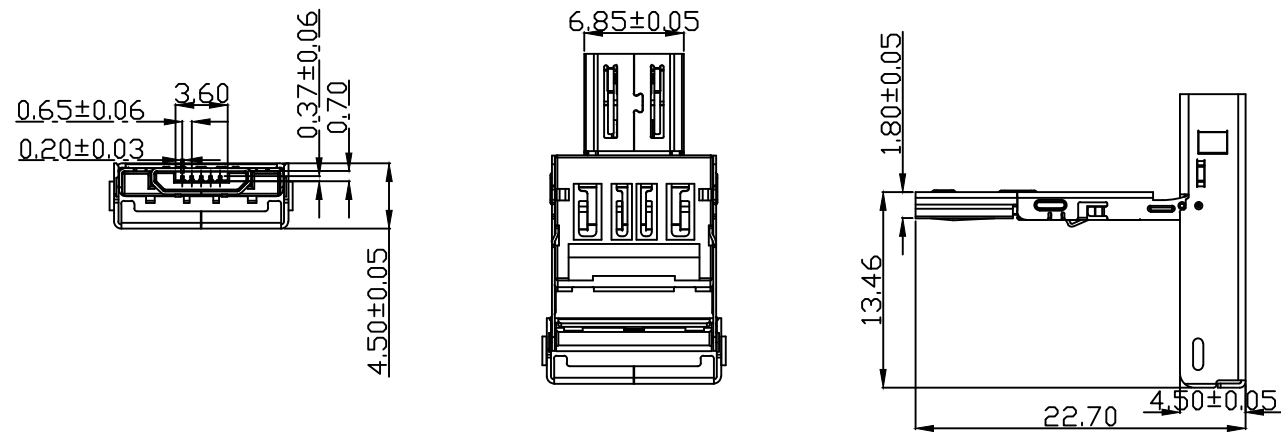
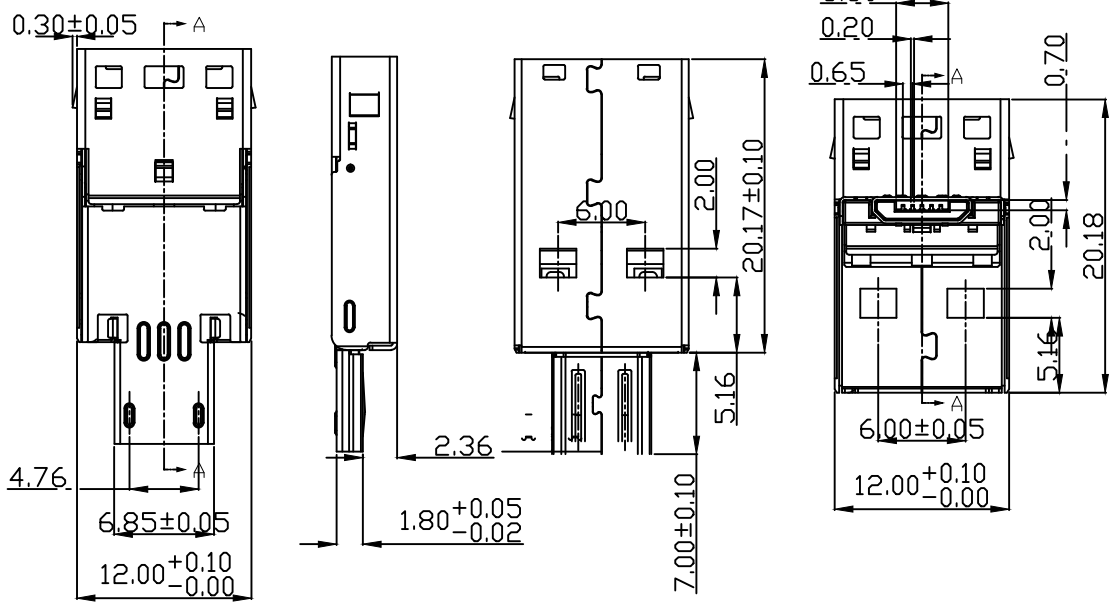



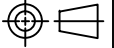
NOTES:

- 1.MATERIAL:
  - KET HOUSING:LCP,UL94 V-0,COLOR:SEE TABLE
  - TAP HOUSING:PA66 UL94 V-0,COLOR:SEE TABLE
  - CONTACT:C5210R-EH T=0.20±0.01mm
  - SHELL:STAINLESS 430 T=0.30±0.01mm
  - KET SHELL:SUS301 T=0.20±0.01mm
- 2.PLATING:
  - SHELL: 50" NICKEL ON THE ALL SURFACE.
  - CONTACT: 50U"MIN NICKEL UNDERPLATING GOLD PLATED IN THE CONTACT.
  - GOLD PLATED : G/F
- 3.ELECTRONICAL SPECIFICATION:
  - CONTACT CURRENT RATING:1.8A FOR POWER AND GND CONTACTS.
  - 1A FOR SIGNAL CONTACTS.
  - \*CONTACT RESISTANCE:30 MILLIOHMS MAX.
  - INSULATION RESISTANCE:100 MEGOHMS MIN.
  - DIELECTRIC WITHSTANDING VOLTAGE:100V AC.
- 4.MECHANICAL CHARACTERISTICS:
  - INSERTION FORCE:3.57kg.(35N) MAX
  - EXTRACTION FORCE:0.8kg.(8N) MIN
  - DURABILITY:5000 CYCLES MIN
- 5.OPERATING TEMPERATURE:-30°C~+85°C
- 6.MARK " "MUST BE QUALITY CONTROL.



Pin Number	Signal Name
1	VBUS
2	D-
3	D+
4	GND
5	StdA_SSRX-
6	StdA_SSRX+
7	GND_DRAIN
8	StdA_SSTX-
9	StdA_SSTX+
Shell	Shield

PROPRIETARY NOTE:  
This document contains confidential information and proprietary to Rego Electronics and shall not be reproduced or disclosed to other documents or used for any purpose other than that for which was obtained without the expressed written consent of Rego Electronics.

.X ± 0.30	APPROVED: Chris	 <a href="http://www.rego.com.tw">http://www.rego.com.tw</a> TITLE: USB Combo Plug hinge type for pen drive support UDP 15mm-USB 2.0 PART NO: 8348024-00201 SHEET: 1 OF 1
.XX ± 0.20	CHECKED: Denny	
.XXX± 0.15	DRAWN: Bryan	
X* ± 3'		
	UNITS: mm	SCALE: NONE

A	RELEASE	05.26.2014
REV	DESCRIPTION	DATE