

A

B

C

D

E

F

A

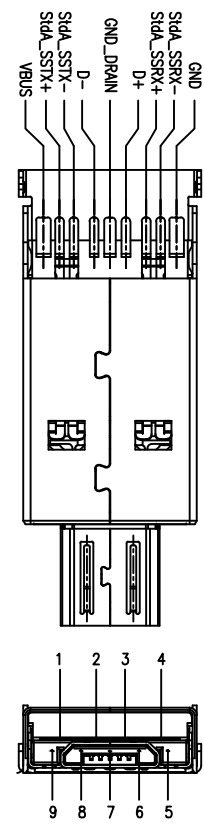
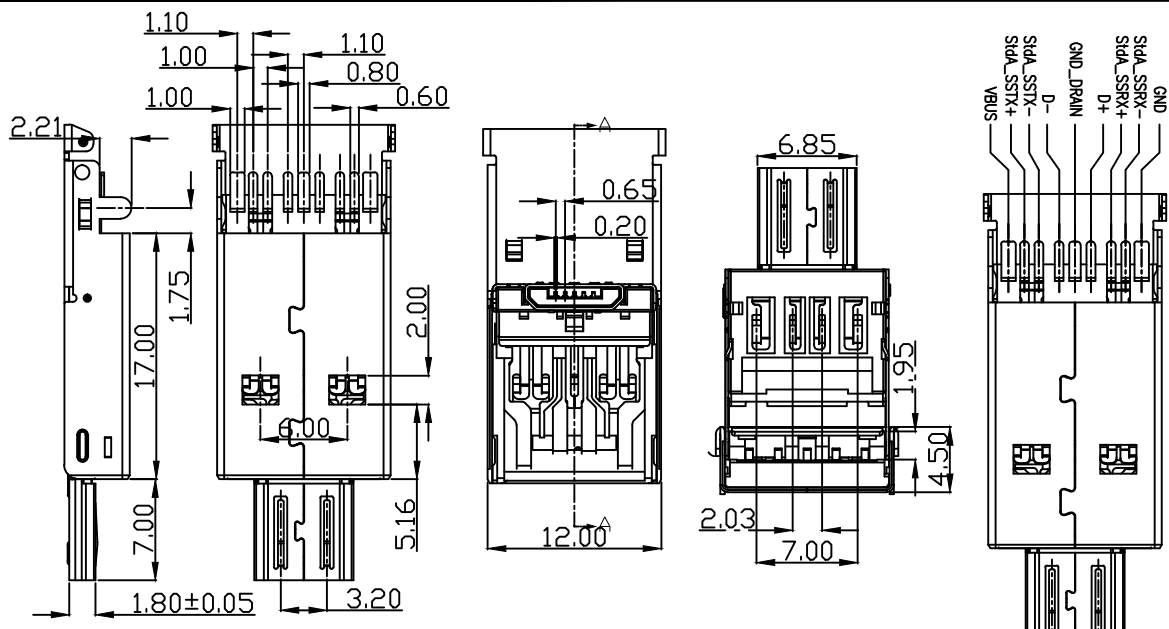
B

C

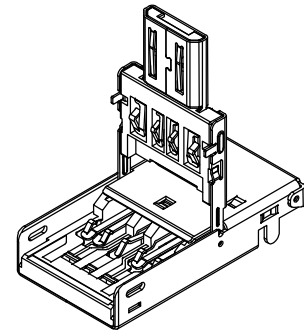
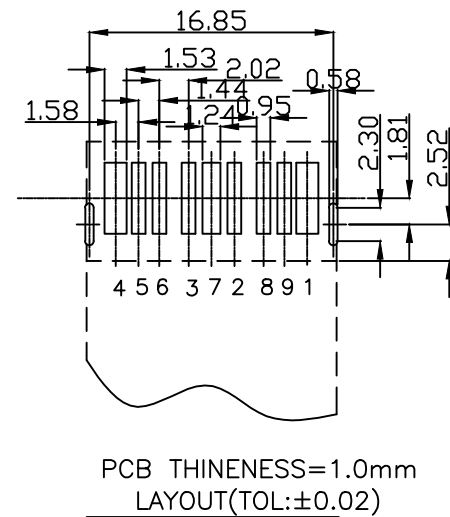
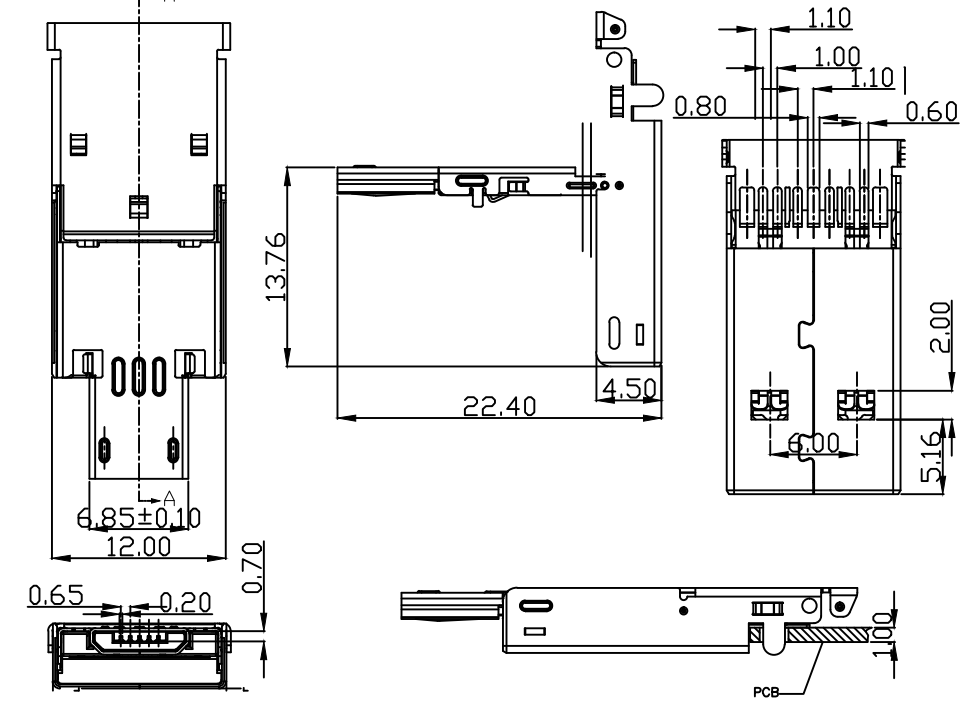
D

E

F




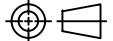
NOTES:
 1.MATERIAL:
 HOUSING:HIGH TEMPERATURE THERMOPLASTIC,UL94 V-0,
 COLOR:SEE TABLE
 CONTACT:PHOSPHOR BRONZE T=0.20±0.01mm
 SHELL:SPCC T=0.30±0.01mm
 KET SHELL:SUS 301 T=0.2±0.01mm
 2,PLATING:
 SHELL: OVER 50u" MIN CU UNDERPLATE:
 50" NICKEL ON THE ALL SURFACE.
 CONTACT:100U"MIN MISTY TIN PLATING ON SOLDER TAILS
 GOLD PLATED ON THE CONTACT AREA
 50U"MIN NICKEL UNDERPLATING .
 GOLD PLATED : G/F
 3.ELECTRONICAL SPECIFICATION:
 CONTACT CURRENT RATING:1.8A FOR VBUS AND GND CONTACTS.
 0.25A FOR ALL OTHERS CONTACTS.
 CONTACT RESISTANCE:30 MILLIOHMS MAX.
 INSULATION RESISTANCE:100 MEGOHMS MIN.
 DIELECTRIC WITHSTANDING VOLTAGE:100V AC.
 4.MECHANICAL CHARACTERISTICS:
 INSERTION FORCE:3.57kg.(35N) MAX
 EXTRACTION FORCE:1.02kg.(10N) MIN
 DURABILITY:5000 CYCLES MIN
 5.OPERATING TEMPERATURE:-40°C~+85°C



Pin Number	Signal Name
1	VBUS
2	D-
3	D+
4	GND
5	StdA_SSRX-
6	StdA_SSRX+
7	GND_DRAIN
8	StdA_SSTX-
9	StdA_SSTX+
Shell	Shield

PCB THINNESS=1.0mm
 LAYOUT(TOL:±0.02)

PROPRIETARY NOTE:
 This document contains confidential information and proprietary to Rego Electronics and shall not be reproduced or disclosed to other documents or used for any purpose other than that for which was obtained without the expressed written consent of Rego Electronics.

.X ± 0.30	APPROVED: Chris	 TITLE: USB Combo Plug hinge type Support OTG for pen drive PCB SMT PART NO: 8348018-00201 SHEET: 1 of 1
.XX ± 0.20	CHECKED: Denny	
.XXX ± 0.15	DRAWN: Bryan	
X* ± 3'		
	UNITS: mm	SCALE: NONE

A	RELEASE DESCRIPTION	07.02.2013 DATE
REV		