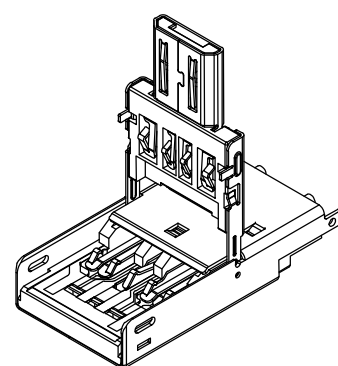
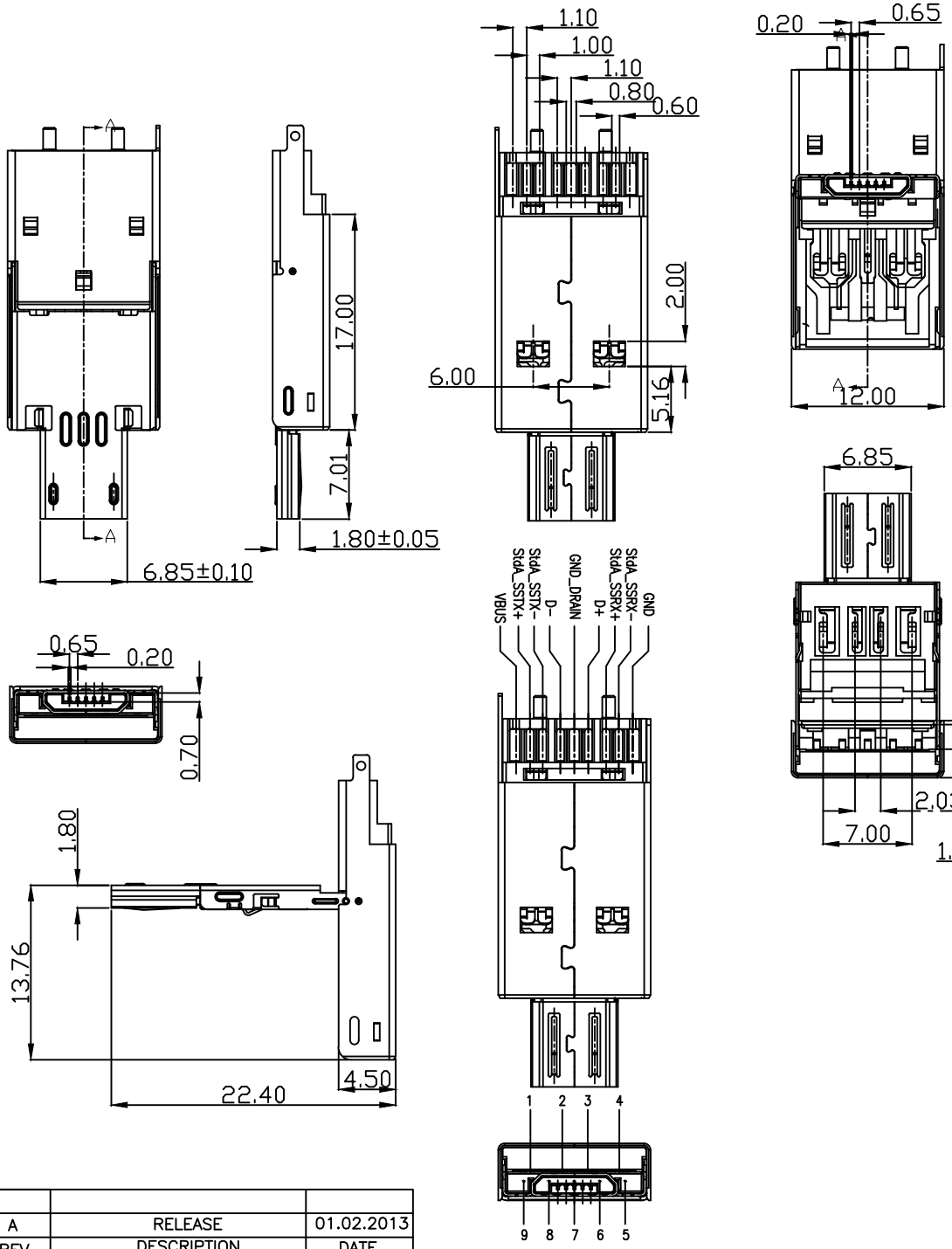



- NOTES:
- MATERIAL:
    - HOUSING:HIGH TEMPERATURE THERMOPLASTIC,UL94 V-0, COLOR:SEE TABLE
    - CONTACT:COPPER ALLOY T=0.20±0.01mm
    - SHELL:SPCC T=0.30±0.01mm
    - KET SHELL:SUS301 T=0.20±0.01mm
  - PLATING:
    - SHELL: OVER 50u" MIN CU UNDERPLATE: 50" NICKEL ON THE ALL SURFACE.
    - CONTACT:100U"MIN MISTY TIN PLATING ON SOLDER TAILS 50U"MIN NICKEL UNDERPLATING OVER ALL GOLD.
    - GOLD PLATED : G/F
  - ELECTRONICAL SPECIFICATION:
    - CONTACT CURRENT RATING:1.8A FOR VBUS AND GND CONTACTS. 0.25A FOR ALL OTHERS CONTACTS.
    - CONTACT RESISTANCE:30 MILLIOHMS MAX.
    - INSULATION RESISTANCE:100 MEGOHMS MIN.
    - DIELECTRIC WITHSTANDING VOLTAGE:100V AC.
  - MECHANICAL CHARACTERISTICS:
    - INSERTION FORCE:3.57kg.(35N) MAX
    - EXTRACTION FORCE:1.02kg.(10N) MIN
    - DURABILITY:5000 CYCLES MIN
  - OPERATING TEMPERATURE:-40°C~+85°C



Pin Number	Signal Name
1	VBUS
2	D-
3	D+
4	GND
5	StdA_SSRX-
6	StdA_SSRX+
7	GND_DRAIN
8	StdA_SSTX-
9	StdA_SSTX+
Shell	Shield

PROPRIETARY NOTE:  
This document contains confidential information and proprietary to Rego Electronics and shall not be reproduced or disclosed to other documents or used for any purpose other than that for which was obtained without the expressed written consent of Rego Electronics.

.X ± 0.30	APPROVED: Chris	 http://www.rego.com.tw TITLE: USB Combo Plug hinge type for cable assembly solder
.XX ± 0.20	CHECKED: Denny	
.XXX± 0.15	DRAWN: Bryan	
X* ± 3'		
UNITS: mm	SCALE: NONE	PART NO: 8348021-00201
		SHEET: 1 OF 1

A	RELEASE	01.02.2013
REV	DESCRIPTION	DATE

