

1 2 3 4 5 6 7 8 9 10

A

B

C

D

E

F

A

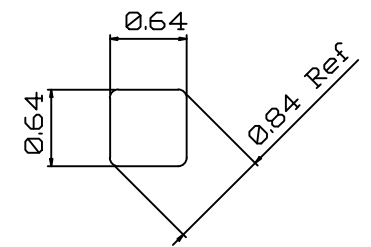
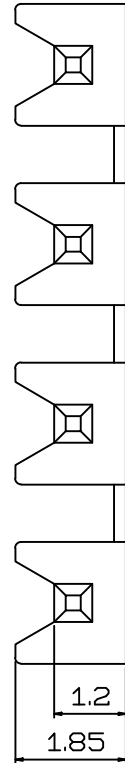
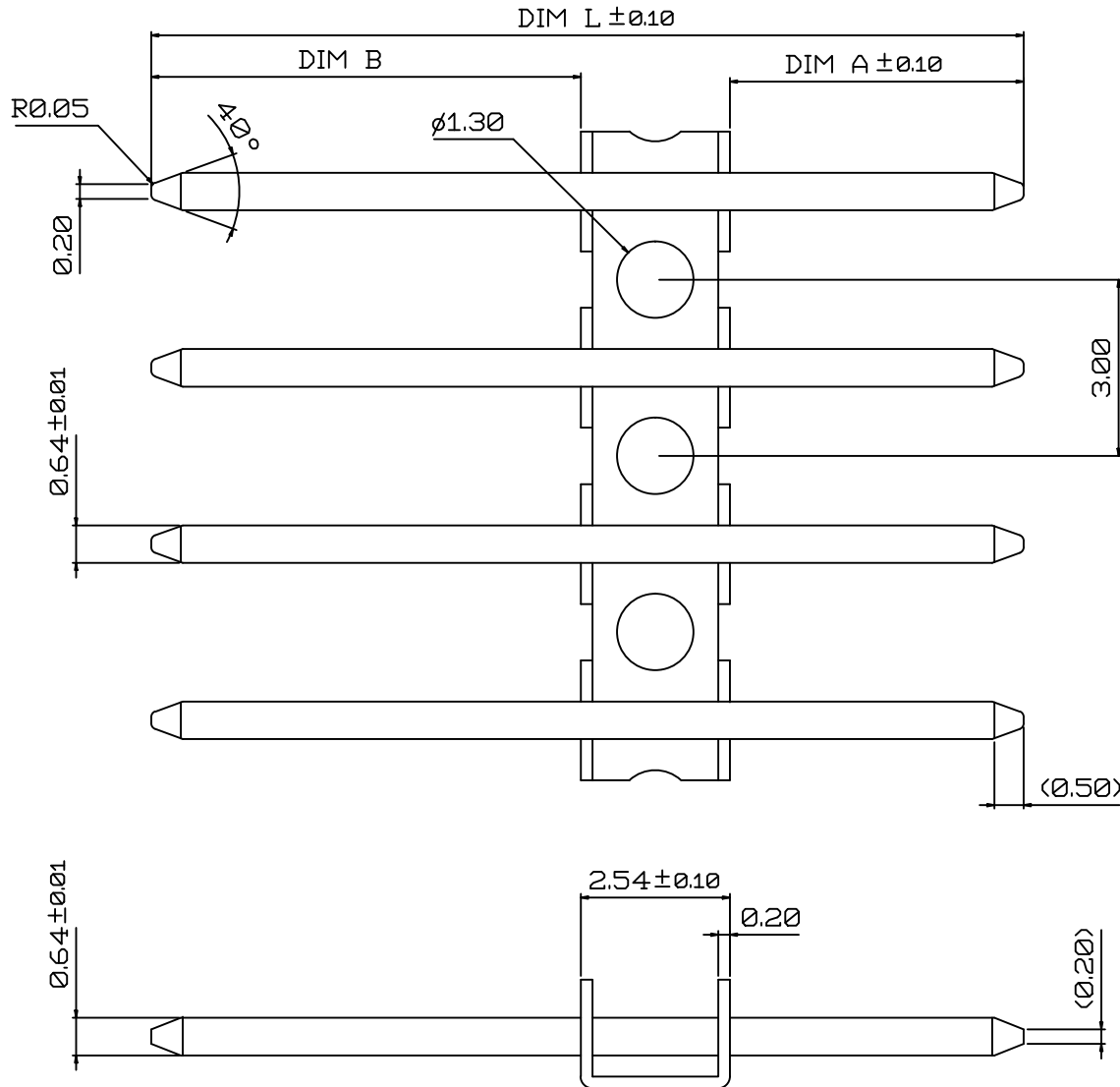
B


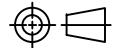
C

D

E

F



| | | |
|---|------------------|---|
| PROPRIETARY NOTE: This document contains confidential information and proprietary to Rego Electronics and shall not be reproduced or disclosed to other documents or used for any purpose other than that for which was obtained without the expressed written consent of Rego Electronics. | | |
| .X ± 0.30 | APPROVED: Chris |  http://www.rego.com.tw TITLE: 0.64mm sq. bandolier pin 3.00mm pitch |
| .XX ± 0.20 | CHECKED: Denny | |
| .XXX ± 0.15 | DRAWN: Bryan | |
| X* ± 3' | | |
|  | UNITS: mm | SCALE: NONE |
| | PART NO: KB06403 | |
| SHEET: 1 OF 1 | | |

| | | |
|-----|-------------|------------|
| A | RELEASE | 04.01.2008 |
| REV | DESCRIPTION | DATE |

1 2 3 4 5 6 7 8 9 10