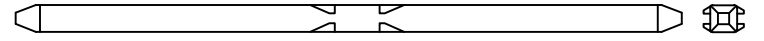
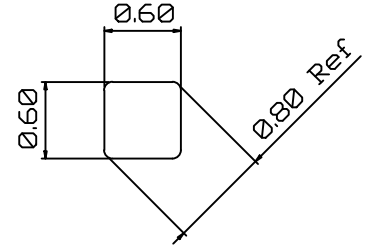
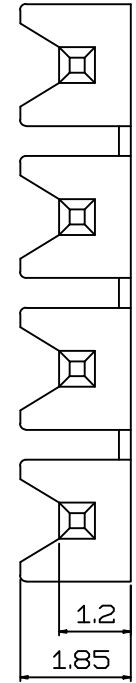
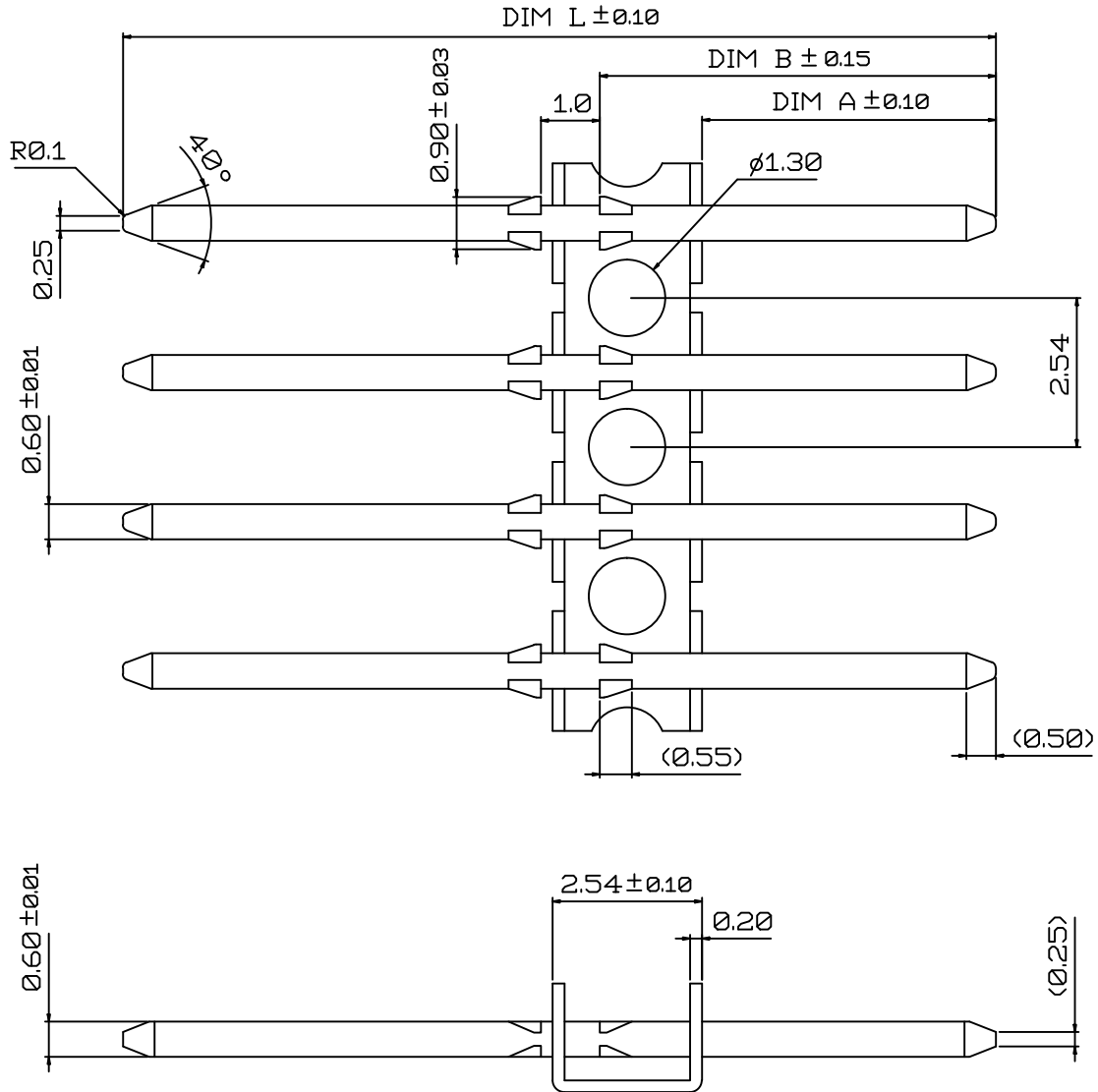

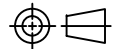


1 2 3 4 5 6 7 8 9 10

A  
B  
C  
D  
E  
F



**PROPRIETARY NOTE:**  
This document contains confidential information and proprietary to Rego Electronics and shall not be reproduced or disclosed to other documents or used for any purpose other than that for which was obtained without the expressed written consent of Rego Electronics.

.X ± 0.30	APPROVED: Chris	 <a href="http://www.rego.com.tw">http://www.rego.com.tw</a> TITLE: 0.60mm sq. bandolier pin barb type 2.54mm pitch
.XX ± 0.20	CHECKED: Denny	
.XXX ± 0.15	DRAWN: Bryan	
X* ± 3'		
 UNITS: mm	SCALE: NONE	PART NO: KB0603A
		SHEET: 1 OF 1

A	RELEASE	04.01.2008
REV	DESCRIPTION	DATE

1 2 3 4 5 6 7 8 9 10