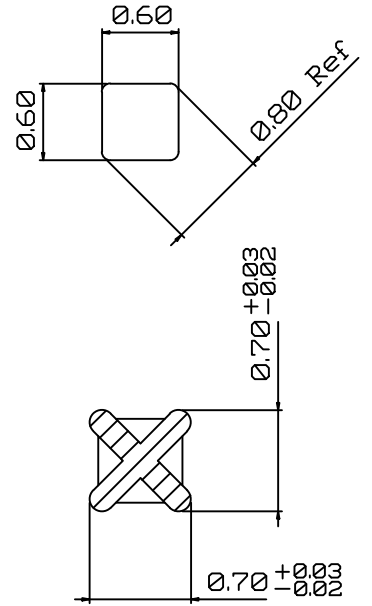
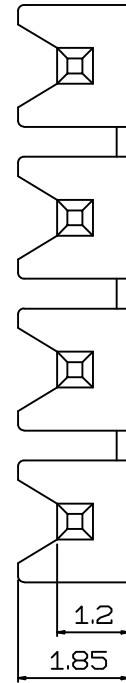
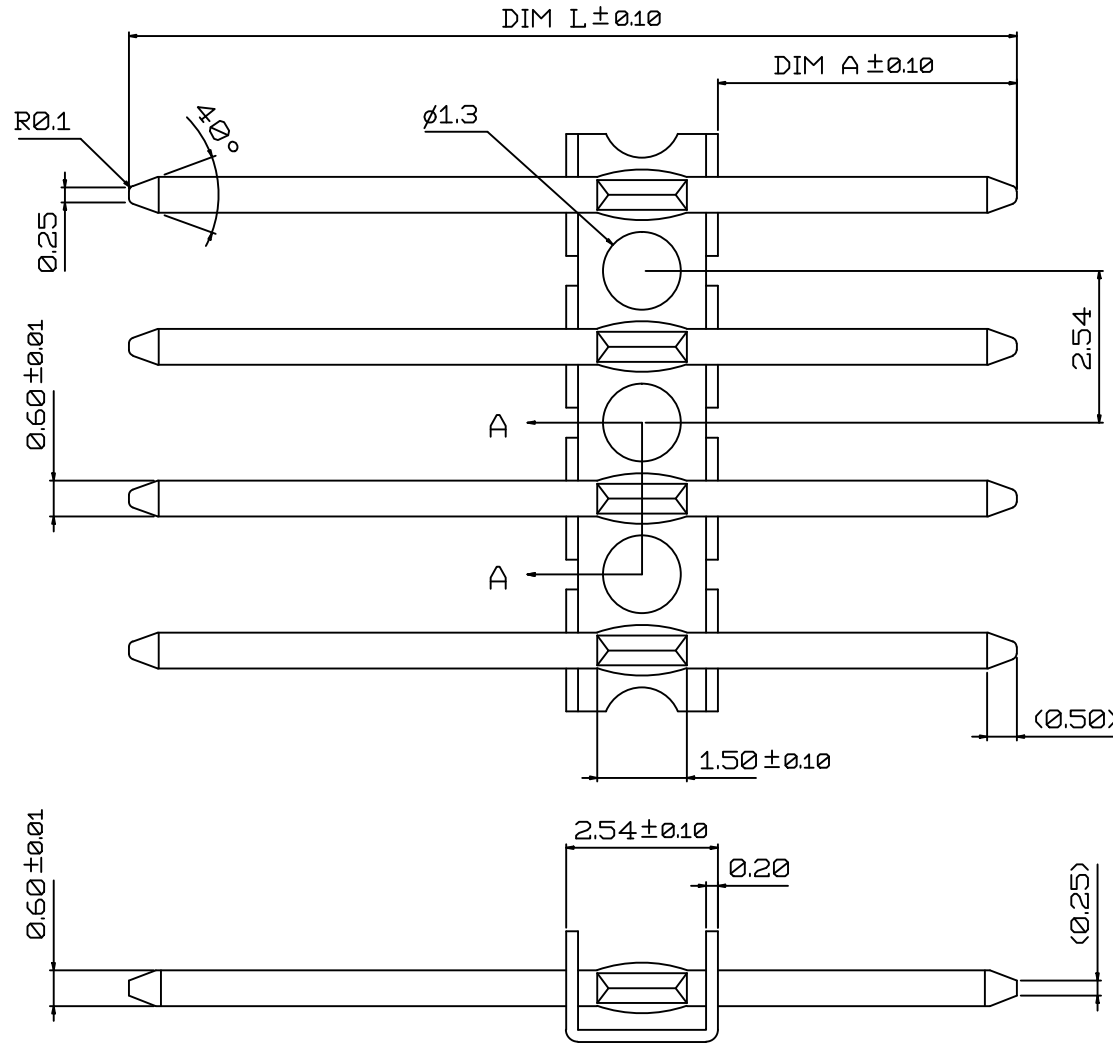
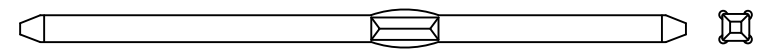


1 2 3 4 5 6 7 8 9 10

A
B
C
D
E
F


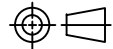


SECTION A-A



A	RELEASE	04.01.2008
REV	DESCRIPTION	DATE

PROPRIETARY NOTE:
This document contains confidential information and proprietary to Rego Electronics and shall not be reproduced or disclosed to other documents or used for any purpose other than that for which was obtained without the expressed written consent of Rego Electronics.

.X ± 0.30	APPROVED: Chris	 http://www.rego.com.tw
.XX ± 0.20	CHECKED: Denny	
.XXX ± 0.15	DRAWN: Bryan	
X* ± 3'		
	UNITS: mm	SCALE: NONE
TITLE: 0.60mm sq. bandolier pin cross type 2.54mm pitch		PART NO: KB0602B
SHEET: 1		OF 1

1 2 3 4 5 6 7 8 9 10